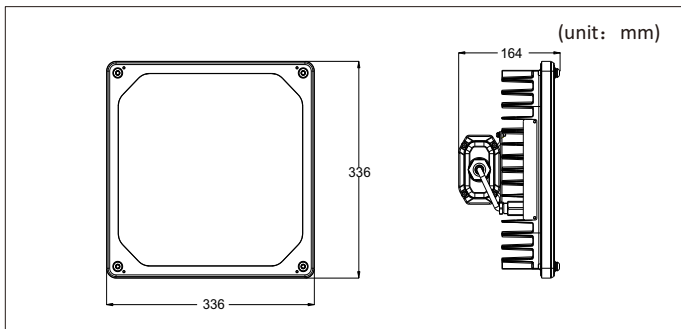




# LED Explosion proof Flood light Ex-Brownbear Series

### Applications:

1. Typical applications include Gas station, manufacturing plants, and certain chemical and petrochemical processing facilities, sewage treatment plants, off-shore and dockside installations, garages and storage facilities.



### Certifications and Ratings:

- Zone 2 & 22
- ATEX Compliant
- ABS Compliant
- CE Compliant
- RoHS Compliant
- IP 66 Rated

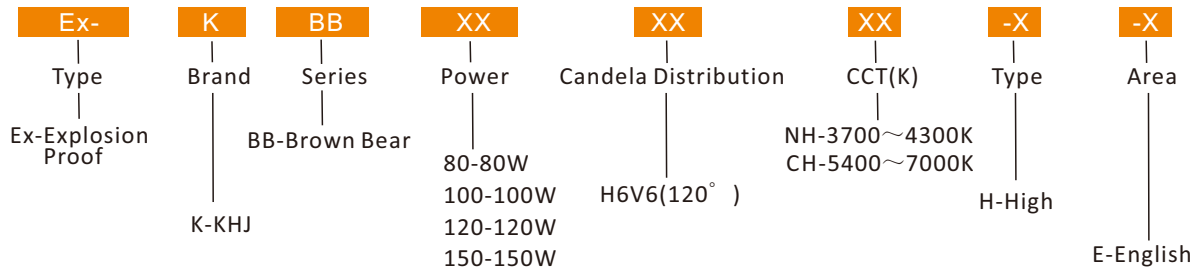
### Features and Benefits:

- Energy saving. Reduce the number of luminaires you need, providing excellent efficacy-more light where you need it.
- Shock- and vibration-resistant- tempered glass , reduces the risk of premature failure.
- OSRAM LED source. High efficiency lumen output and high CRI.
- Driver module assembly -High efficiency LED drivers are designed to provide reliable operation in even the harshest environments.
- High-strength aluminum alloy enclosure, can endure 20J impact. IP66, can be used in marine and wet locations-robust construction suitable for saltwater and corrosive applications.
- Adjusting plate, customer can adjust different mounting angles.
- 80W,100W,120W,150W available. Optional luminous

### Technical data

Marking:	<ul style="list-style-type: none"> <li>⊗ Ex nR IIC T5 or T6 Gc,</li> <li>⊗ Ex tc IIIC T95°C or T85°C Dc IP 66</li> </ul>
Certificate:	TÜV 15 ATEX 7672
Permissible ambient temperature:	-40°C-+55°C
Power:	80W/100W/120W/150W
Rated voltage AC:	100V-277V
Rated voltage DC:	/
Frequency:	50/60Hz
Power factor :	> 0.98
THD:	< 10%
Connecting terminals:	3*1.0-4mm <sup>2</sup> (L+N+PE)
Insulation class:	I
Surge Protection:	5KV
Degree of protection accd .EN 60529:	IP 66
Cable Entries:	2XNPT 3/4" (M20, M25 are optional)
Enclosure material:	Die-casting aluminium alloy
Enclosure colour:	Orange,RAL2011(optional grey RAL7040)
Coating:	Epoxy powder coating
Exposed fastener:	Stainless steel
Protective cover:	Tempered glass,Stand 7J impact
Weight:	10.4Kg
Size:	336*336*164mm

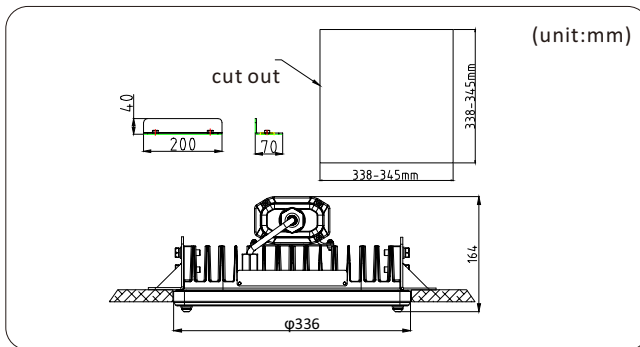
## Product Definition



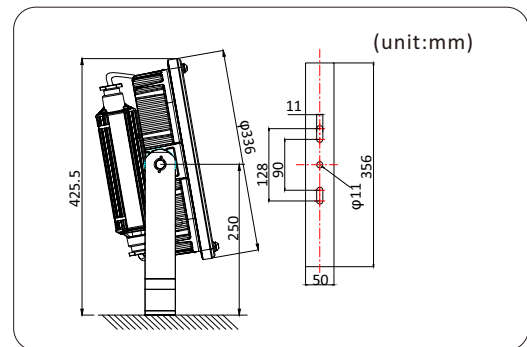
## Photometric parameter

Product type	Rated input voltage (V AC)	P/N	Color.temp	CCT(K)	Power(W)	CRI	Luminous flux(lm)
Ex-KBB80	100-277	Ex-KBB80H6V6NH-H-E	Natural white	3700~4300	3700~4300	70	10560
		Ex-KBB80H6V6CH-H-E	Cool white	5400~7000	5400~7000	70	10560
Ex-KBB100	100-277	Ex-KBB100H6V6NH-H-E	Natural white	3700~4300	3700~4300	70	13200
		Ex-KBB100H6V6CH-H-E	Cool white	5400~7000	5400~7000	70	13200
Ex-KBB120	100-277	Ex-KBB120H6V6NH-H-E	Natural white	3700~4300	3700~4300	70	15840
		Ex-KBB120H6V6CH-H-E	Cool white	5400~7000	5400~7000	70	15840
Ex-KBB150	100-277	Ex-KBB150H6V6NH-H-E	Natural white	3700~4300	3700~4300	70	19800
		Ex-KBB150H6V6CH-H-E	Cool white	5400~7000	5400~7000	70	19800

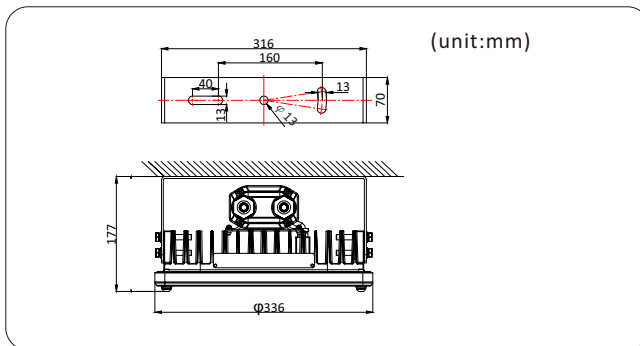
## Installation method



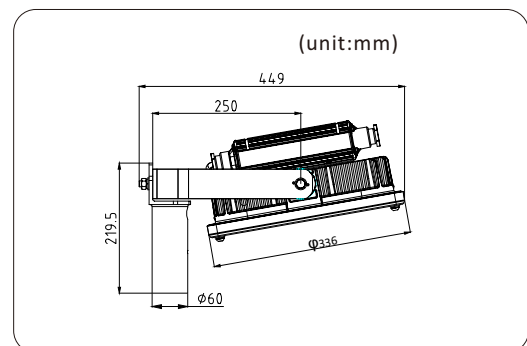
In built mount(IB-BB-S)



Stanchion mount(SBT-BB-O)



Ceiling mount(BR-BB-O)



Pole mount(SBT-BB-O+SBT2-F-O)

## Contact

SHENZHEN KHJ SEMICONDUCTOR LIGHTING CO., LTD.

Address: 4-5 Floor, Building 1,Chuangxin industrial park,Xintian community,Guanlan, Longhua new district, Shenzhen ,China.

Tel: +86-755-82949977

E-mail: khjledsales@khj.cn

Fax: +86-755-82949800

Web: www.khjled.com